

Name : _____

Score : _____

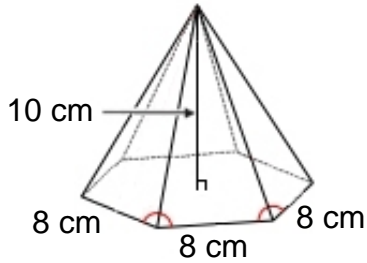
Teacher : _____

Date : _____

Volume of Prisms, Pyramids, Cylinders, and Cones

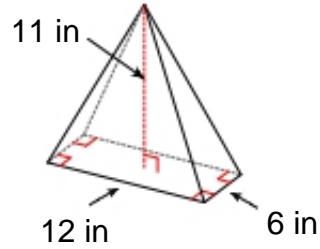
Find the volume of each figure. Round answers to the nearest hundredth, if necessary.

1)



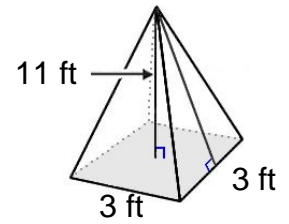
Volume: _____

2)



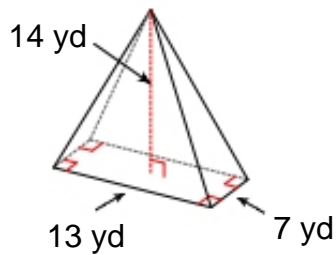
Volume: _____

3)



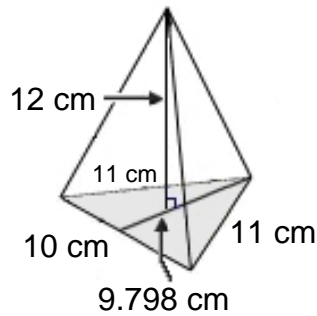
Volume: _____

4)



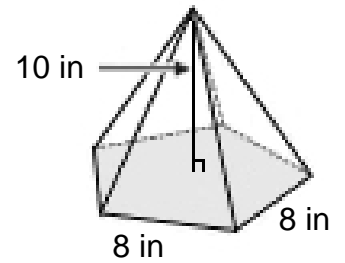
Volume: _____

5)



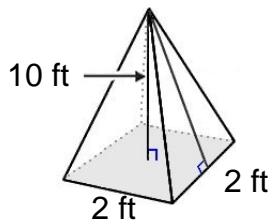
Volume: _____

6)



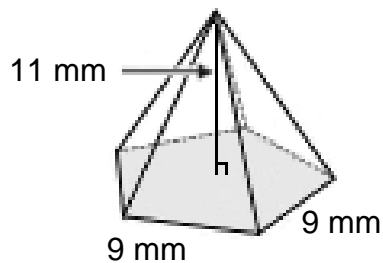
Volume: _____

7)



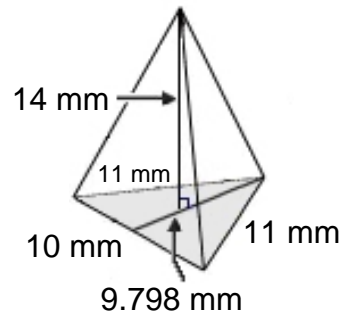
Volume: _____

8)



Volume: _____

9)



Volume: _____

